

Operate Instructions

Setting the Soundbar

1. Plug the power cord in and the LED will light up.
2. Press the INPUT button to select the mode you need with the remote control. The Indicator can change into 5 different colors representing different states:
RED: Standby
BLUE: BT Pairing Mode
GREEN: AUX Mode
PINK: USB Mode
WHITE: OPTICAL Mode

Connectivity

1. BT: Wireless Bluetooth connection
2. Aux: Connect to TV audio out
3. USB: Use the USB port for music files
4. Optical: Connect an optical fibre cable for superior sound

BT Pairing Mode

- Connect
1. Plug the cable in and wait for the LED light to light up in Red.
 2. Press the Standby button (soundbar or remote). The Red light will change to flashing Blue light.
 3. Search for new BT device on your smartphone, tablet, PC etc. Choose the device and select it. If password is asked just type 0000. The Blue light will stop flashing when the soundbar is paired successfully.
- Disconnect
- Go to the settings of your BT player, select the soundbar from the list and choose 'Disconnect'.

AUX Mode

1. Plug in a 3.5mm Auxiliary cable.
2. Press the Input button to select AUX mode, hold it until the LED light lights up Green.

USB Mode

1. Insert the USB Drive.
2. The music in the USB will play automatically.

OPTICAL Mode

1. Plug in an audio Optical fibre cable.
2. Press the Input button to select Optical Mode, the light turns white.

Shut down

1. Press and hold the STANDBY button (remote or soundbar) till the LED light becomes Red.

Troubleshooting

The appliance doesn't respond

- Turn it off and wait a few minutes then turn it on again.

No sound

- Check that the Soundbarsystem is not set to Standby.
- Check that the correct source is selected.
- Adjust volume on the remote control of the soundbar.
- Check TV's Sound Settings (*Procedure may differ depending on the model*)
Go to Settings > Sound > Advance settings > Audio Format > change all settings to PCM. Additionally, change Dolby to PCM wherever it is mentioned. Turn off TV and Soundbar for about 10 seconds and turn them on again. Confirm that the new settings have been successfully applied.

No sound/low volume (computer or personal audio player connected to the AUX jack)

- If the source has a volume control, check that this is turned up.

Audio quality is poor after connection with a pairing device

- The reception is poor. Move the device closer to the soundbar or remove any obstacle between them.

Cannot connect with a device via Pairing

- Pairing function of the device is not enabled or it is already connected to another BT device.

No remote control operation

- The batteries may be flat. Try replacing the batteries.

Care and maintenance

After using the soundbar system

Set it to Standby.

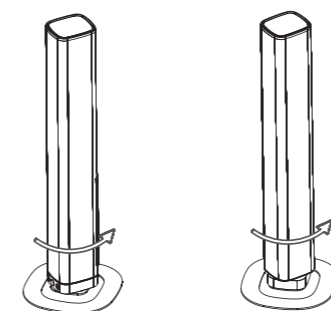
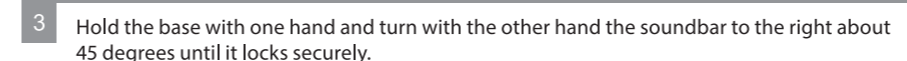
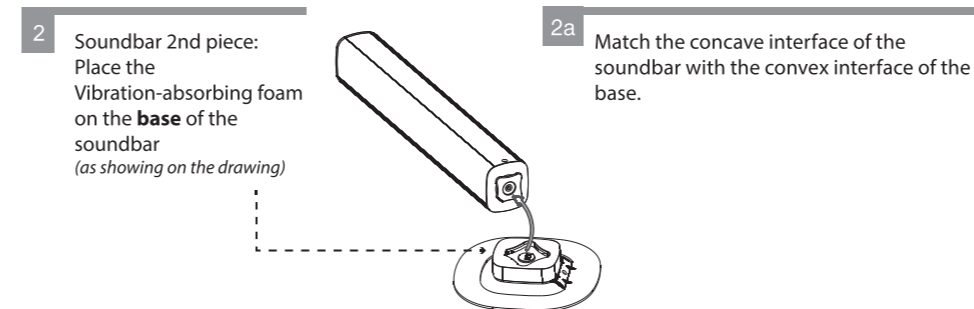
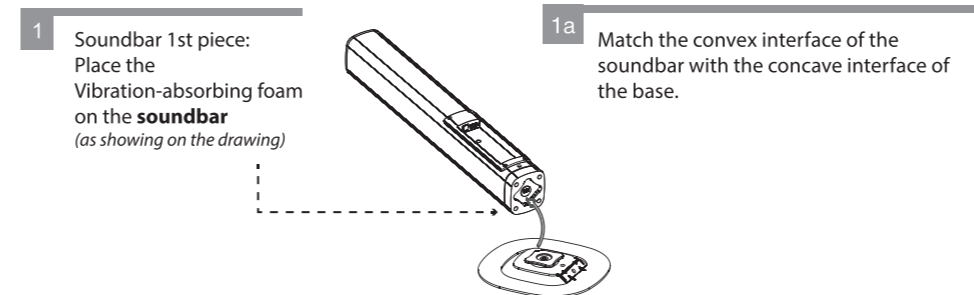
Care and cleaning

All care and cleaning operations should be carried out with the unit unplugged from the main power. The surface of the unit can be cleaned with a barely damp cloth and then dried carefully.

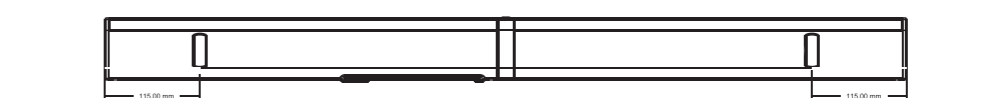
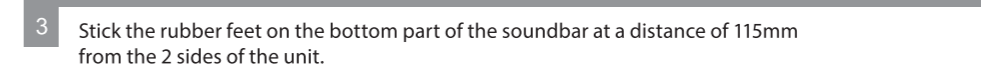
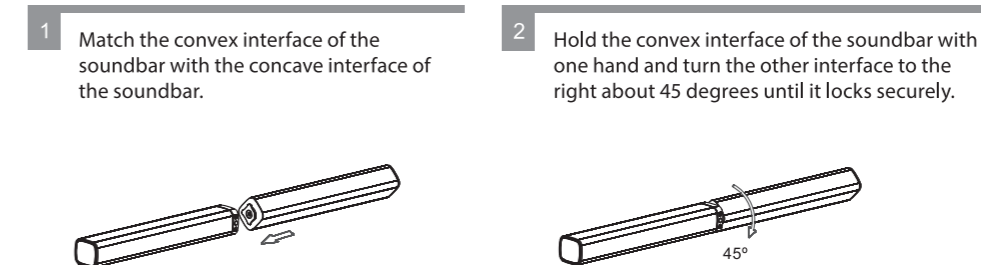
Caution!

Never use abrasives, abrasive clothes or chemical solvents. Loudspeaker grilles can be cleaned carefully with a soft brush.

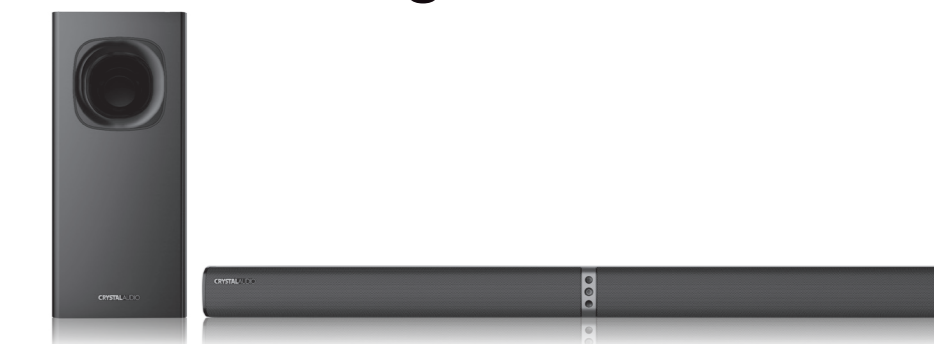
Speaker assemble details



Soundbar assemble details



Wireless Soundbar



CASB240

User Manual



DECLARATION OF CONFORMITY

Radio equipment and telecommunications terminal equipment, Directive 2014/53/EU

Crystal Audio hereby declares that the product, CASB240 Wireless Soundbar, is in conformity with provisions of the Directive 2014/53/EU. The complete text of the Declaration of conformity can be found on the following webpage: www.CrystalAudio.gr

D & J Damkalidis SA - 44 Zefyrou str., P. Faliro, Greece

Designed in Europe by Crystal Audio - Assembled in China with the highest quality standards. Product images are for illustrative purposes only and may differ from the actual product.



The Bluetooth® word mark and logos are registered trademarks owned by Bluetooth SIG Inc. and any use of such marks by Crystal Audio is under license

Important Safety Instructions



Important Safety Instructions

Caution:

To reduce the risk of electric shock, do not dismantle the product and do not expose the apparatus to rain or moisture. No user-serviceable parts inside. Refer servicing to qualified personnel only.

Caution:

The lightning flash within an equilateral triangle is intended to alert you to the presence of uninsulated dangerous voltage within the product's enclosure that may be of sufficient magnitude to constitute an electric shock to a person or persons.



Important! This symbol alerts you to read and observe important warnings and instructions on the unit or in this manual.

To achieve the utmost in enjoyment and performance, and in order to become familiar with its features, please read this manual carefully before attempting to operate this product. This will assure you years of trouble free performance and listening pleasure.

Important Notes

This sound bar was especially developed for LED/LCD/Plasma TV's: It should not be used in combination with CRT TV's (Cathode Ray Tube TV's) in order to avoid image interferences.

Safety and operating instruction manual should be retained for future reference.

The apparatus should not be exposed to dripping or splashing or placed in a humid atmosphere such as a bathroom.

Do not install the product in the following areas:

- Places exposed to direct sunlight or close to radiators.
- Ontop of other stereo equipment that radiate too much heat.
- Blocking ventilation or in a dusty area.
- Areas where there is constant vibration.
- Humid or moist places.
- Do not place near candles or other naked flames.

- Operate the product only as instructed in this manual.
- Before turning on the power for the first time, make sure the power adaptor is properly connected.
- For safety reasons, do not remove any covers or attempt to gain access to the inside of the product. Refer any servicing to qualified personnel.
- Do not attempt to remove any screws, or open the casing of the unit; there are no user serviceable parts inside. Refer all servicing to qualified service personnel.

Safety Instructions

- 1. Read Instructions** - All the safety and operating instructions must be read before the product is operated.
- 2. Retain Instructions** - The safety and operating instructions should be kept with the product for future reference.
- 3. Heed warnings** - All warnings on the product and in the operating instructions should be adhered to.
- 4. Follow instructions** - All operating and users' instructions should be followed.
- 5. Installation** - Install in accordance with these instructions.
- 6. Power sources** - This product should be operated only from the type of power source indicated by the marking adjacent to the power cord entry. If you are not sure of the type of power supply to your home, consult your product dealer or local power company.
- 7. Grounding** - the product is not required to be grounded. Ensure that the plug is fully inserted into the wall outlet or extension cord receptacle to prevent blade or pin exposure.
- 8. Power cord protection** - Power-supply cords should be routed so that they are not likely to be walked on, kinked or pinched by items placed on or against them, paying particular attention to cords from plugs, receptacles and the point where they exit from the product.
- 9. Overloading** - Do not overload wall outlets, extension cords, or multiple sockets, as this can result in a risk of fire or electric shock.
- 10. Ventilation** - The product must be properly ventilated. Do not place the product on a bed, sofa, or other similar surface. Do not cover the product with any items such as tablecloths, newspapers, etc.
- 11. Heat** - The product should be situated away from heat sources such as radiators, heat registers, stoves, or other products, including amplifiers that produce heat. No naked flame sources, such as lighted candles, should be placed on the apparatus.
- 12. Water and moisture** - To reduce the risk of fire or electric shock, do not expose the product to rain, dripping, splashing or excessive moisture such as in a sauna or bathroom. Do not use this product near water, for example, near a bathtub, washbowl, kitchen sink, laundry tub, in a wet basement or near a swimming pool (or similar).
- 13. Object and Liquid Entry** - Never push objects of any kind into this product through openings, as they may touch dangerous voltage points or short-circuit parts that could result in a fire or electric shock. Never spill liquid of any kind on the product. Do not place any object containing liquid on top of the product.
- 14. Cleaning** - Unplug the product from the wall outlet before cleaning. Dust in the woofer may be cleaned with a dry cloth. If you wish to use an aerosol cleaning spray, do not spray directly on the cabinet; spray onto the cloth. Be careful not to damage the drive units.
- 15. Attachments** - Do not use attachments not recommended by the product manufacturer, as they may cause hazards.
- 16. Accessories** - Do not place this product on an unstable cart, stand, tripod, bracket or table. The product may fall, causing serious injury to

(cont.)

1/2

Safety Instructions

- a child or adult, and serious damage to the product. Use only with a cart, stand, tripod, bracket or table recommended by the manufacturer or sold with the product. Any mounting of the product should follow the manufacturer's instructions and should use a mounting accessory recommended by the manufacturer.
- 17. Moving the product** - A product and cart combination should be moved with care. Quick stops, excessive force and uneven surfaces may cause the product and cart combination to overturn.
 - 18. Unused periods** - The power cord of the appliance should be unplugged from the outlet during lightning storms or when the apparatus is left unused for a long period of time.
 - 19. Servicing** - Do not attempt to service this product yourself, as opening or removing covers may expose you to dangerous voltage or other hazards. Refer all servicing to qualified service personnel.
 - 20.** Please remove the power plug from the main power source or wall power source when not in use. When plugged in to a power source, the system is in standby mode, so the power is not entirely cut off.
 - 21. Replacement parts** - When replacement parts are required, ensure that the service technician has used replacement parts specified by the manufacturer or have the same characteristics as the original part. Unauthorized substitutions may result in fire, electric shock or other hazards.
 - 22. Mains fuses** - For continued protection against fire hazard, use fuses only of the correct type and rating. The correct fuse specification for each voltage range is marked on the product.
 - 23.** Do not turn up the volume while listening to a section with very low level inputs or no audio signals. If you do, the speaker may be damaged when a peak level section is suddenly played.
 - 24.** The only means of completely disconnecting the product from the power supply is by removing the power cord from the wall outlet or the product. The wall outlet or the power cord entry to the product must remain freely accessible at all times while the product is in use.
 - 25.** Try to install the product near a wall socket or extension cord and shall be easily accessible.
 - 26.** The highest environmental temperature suitable for this product is 35°C.
 - 27. ESD hints** - If the product maybe reset or not reset to operation of control due to electrostatic discharge, just switch off and reconnect again, or move the product to another location.
 - 28. Battery**
 - 1). The batteries must not be exposed to excessive heat such as sunshine, fire or the like.
 - 2). The batteries should be drawn to the environmental aspects of battery disposal.
 - 3). Battery usage CAUTION-to prevent battery leakage which may result in body injuries, property damage, or damage to the apparatus: Install all batteries correctly, + and - as marked on the apparatus. Do not mix batteries (old and new or carbon and alkaline, etc.) Remove batteries when the unit is not used for a long time.

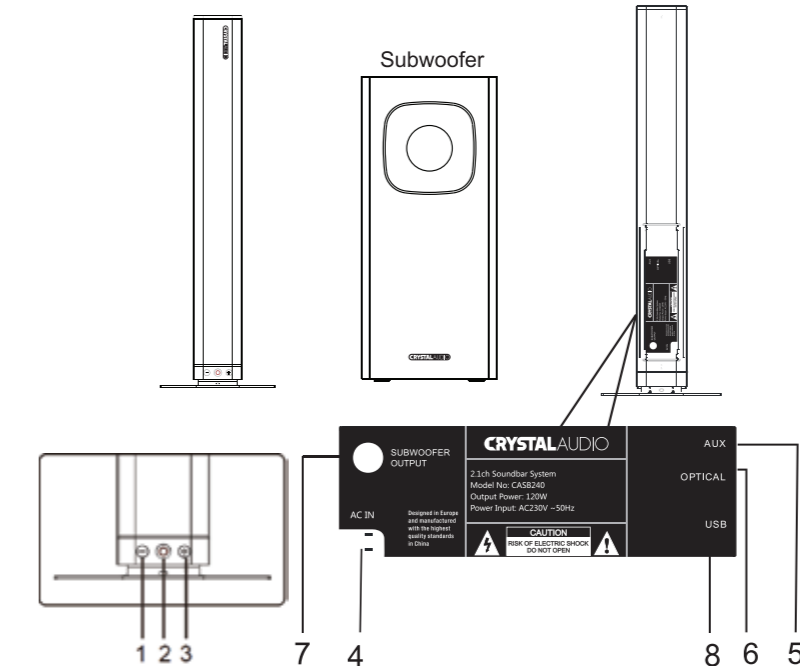
2/2

Warning

This appliance is not intended for use by persons (including children) with reduced physical sensory or mental capabilities, or lack of experience and knowledge, unless they have been given supervision or instruction concerning use of the appliance by a person responsible for their safety. Children should be supervised to ensure that they do not play with the appliance.

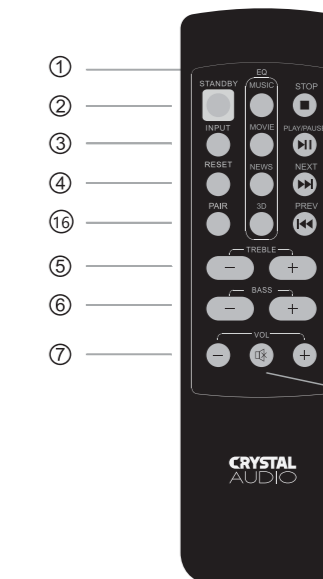
- 1.** To prevent possible hearing damage, do not listen at high volume levels for long time periods or a sudden high volume level.
- 2.** Never use the device unsupervised! Switch off the device whenever you are not using it, even if this only for a short while.
- 3.** The appliance is not intended to be operated by means of an external timer or separate remote control system.
- 4.** If the supply cord is damaged, it must be replaced by the manufacturer, its service agent or similarly qualified persons in order to avoid a hazard.
- 5.** Before operating this system, check the voltage of this system to see if it is identical to the voltage of your local power supply.
- 6.** The unit should not be impeded by covering the ventilation opening with items such as newspaper, table-cloths, curtains etc. Make sure that there are at least 20 cm of space above and at least 5 cm of space on each side of the unit.
- 7.** The apparatus must not be exposed to dripping or splashing and that objects filled with liquids, such as vases, must not be placed on the apparatus.
- 8.** To prevent fire or shock hazard, do not expose this equipment to hot places, rain, moisture or dust.
- 9.** Do not locate this unit near any water sources e.g. taps, bathtubs, washing machines or swimming pools. Ensure that you place the unit on a dry, stable surface.
- 10.** Do not place this unit close to a strong magnetic field.
- 11.** Do not place the unit on an amplifier or receiver.
- 12.** Do not place this unit in a damp area as the moisture will affect the life of electric components.
- 13.** Do not attempt to clean the unit with chemical solvents as this might damage the finish. Wipe with a clean, dry or slightly damp cloth.
- 14.** When removing the power plug from the wall outlet, always pull directly on the plug, never pull on the cord.
- 15.** Depending on the electromagnetic waves used by a television broadcast, if a TV is turned on near this unit while it is also on, lines might appear on the TV screen. Neither this unit nor the TV is malfunctioning. If you see such lines, keep this unit well away from the TV set.
- 16.** The mains plug is used as the disconnect device, the disconnect device must remain readily operable.

Control Buttons and Inputs



- 1. VOL - :** Decrease Volume
- 2. Standby:** Press once to activate Input Mode. Press again to select Input. Press and hold for 3-5 seconds for Standby Mode.
- 3. VOL + :** Increase Volume
- 4. Power Supply (AC 230V/50Hz)**
- 5. AUX Input**
- 6. OPTICAL Input**
- 7. Subwoofer Output:** Connect the Subwoofer
- 8. USB port**

Remote Control - Control/Functions



- 1. EQ: MUSIC/MOVIE/NEWS/3D**
 - MUSIC: Select the MUSIC EQ effect
 - MOVIE: Select the MOVIE EQ effect
 - NEWS: Select the NEWS EQ effect
 - 3D: Select the 3D EQ effect
- 2. STANDBY** Standby button for Power On/Off
- 3. INPUT** AUX/USB/BT/OPT Select the input
- 4. RESET** Set EQ, Treble, Bass and Volume to manufacturer defaults
- 5. TREBLE -** Treble Decrease Button
- 6. BASS -** Bass Decrease Button
- 7. VOL -** Volume Decrease Button
- 8. STOP**
 - a) In USB Mode - Press to stop
 - b) In USB Mode - Repeat Function
 - Repeat Single Song: Press and hold for 3-5 seconds. LED Indicator will flash once. The device is now in Single Song Repeat Mode.
 - Repeat All Songs: Press again and hold for 3-5 seconds. LED Indicator will flash twice. The device is now in All Songs Repeat Mode.
 - c) By pressing STOP button once the device will stop and you need to press PLAY/PAUSE button to start again.
- 9. PLAY/PAUSE** Works in Bluetooth/USB Mode
- 10. NEXT** Press to go to next song (Bluetooth/USB Mode)
- 11. PREV** Press to go to previous song (Bluetooth/USB Mode)
- 12. TREBLE +** Treble Increase button
- 13. BASS + :** Bass Increase button
- 14. VOL + :** Volume Increase button
- 15. MUTE Mode**
- 16. PAIR** Press and hold for 3-5 sec. to disconnect paired device